

Model 1516 Axial Torsion Load Cell

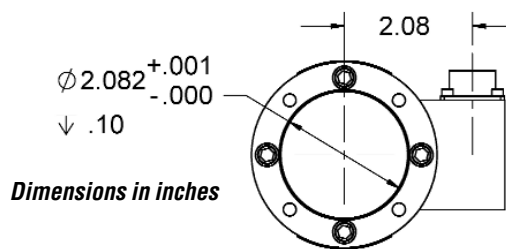
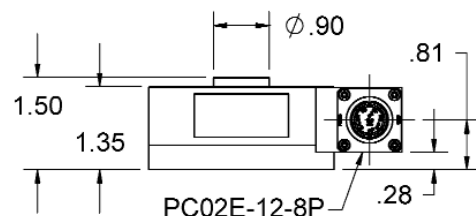
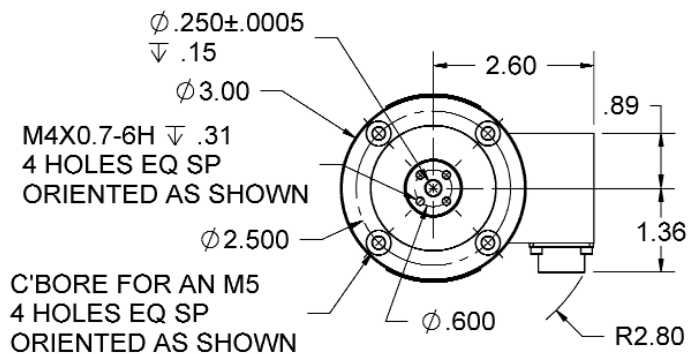
Why the Interface model 1516 Axial Torsion Load Cell is the best in class:

- Capacities 100 lb 50 lbf-in (Axial/Torsion)
- Axial force torque
- Minimal crosstalk
- Fatigue rated



SPECIFICATIONS

ACCURACY	Axial Bridge A	Torsion Bridge B
Nonlinearity-% FS	±0.04	±0.05
Hysteresis-% FS	±0.04	±0.05
Nonrepeatability-% RO	±0.02	±0.05
Creep, in 20 min-%	±0.025	±0.025
TEMPERATURE		
Compensated Range-°F	15 to 115	15 to 115
Compensated Range-°C	-10 to 45	-10 to 45
Operating Range-°F	-65 to 200	-65 to 200
Operating Range-°C	-55 to 90	-55 to 90
Effect on Output-%/100°F - MAX	±0.08	±0.08
Effect on Zero-% RO/100°F - MAX	±0.15	±0.15
ELECTRICAL		
Rated Output-mV/V (T & C)	+1.50 ±0.15	-1.50 ±0.15
Zero Balance-% RO - MAX	±2.0	±2.0
Input Resistance-Ohms	700±7	700±7
Output Resistance-Ohms	700±7	700±7
Excitation Voltage - VDC MAX	20	20
MECHANICAL		
Calibration	T&C	CW & CCW
Safe Overload-% CAP - MAX	±200	±200
Ultimate Overload-% CAP - MAX	±400	±400



Dimensions in inches